



TRANSPORTATION CABINET

Frankfort, Kentucky 40622
www.transportation.ky.gov/

Steven L. Beshear
Governor

Michael W. Hancock, P.E.
Secretary

November 1, 2011

CALL NO. 401
CONTRACT ID NO. 112999
ADDENDUM # 1

Subject: Fayette County, 034GR11M113-FE02
Letting November 18, 2011

(1)Added - Drawings - Pages 36(a)-36(j) of 98

Proposal revisions are available at <http://transportation.ky.gov/contract/>.

If you have any questions, please contact us at 502-564-3500.

Sincerely,

A handwritten signature in blue ink that reads "Ryan Griffith".

Ryan Griffith
Director
Division of Construction Procurement

RG:ks
Enclosures



An Equal Opportunity Employer M/F/D

034B00023L, R

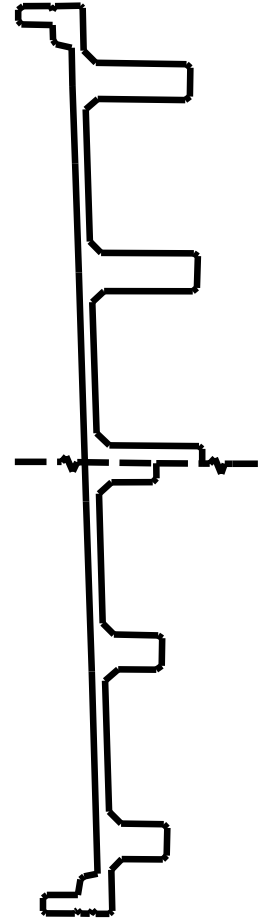
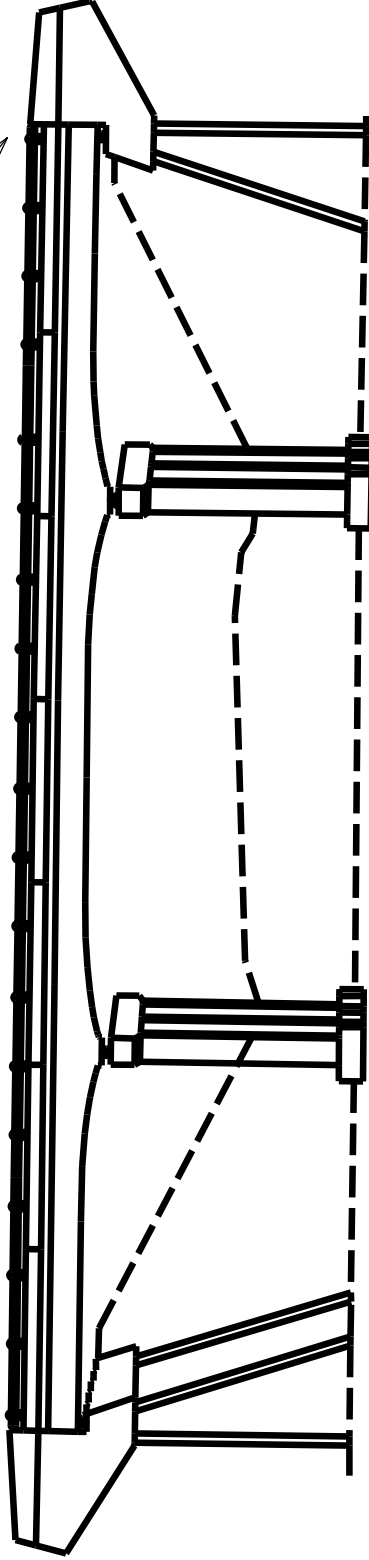
40', 60', 40' CONTINUOUS RCDG SPANS
144' TOTAL LENGTH - 7 DEGREE SKEW

TO US 60

TO US 68

INSTALL 1 1/2" PREFORMED
COMPRESSION JOINT SEAL
& ARMORED EDGE

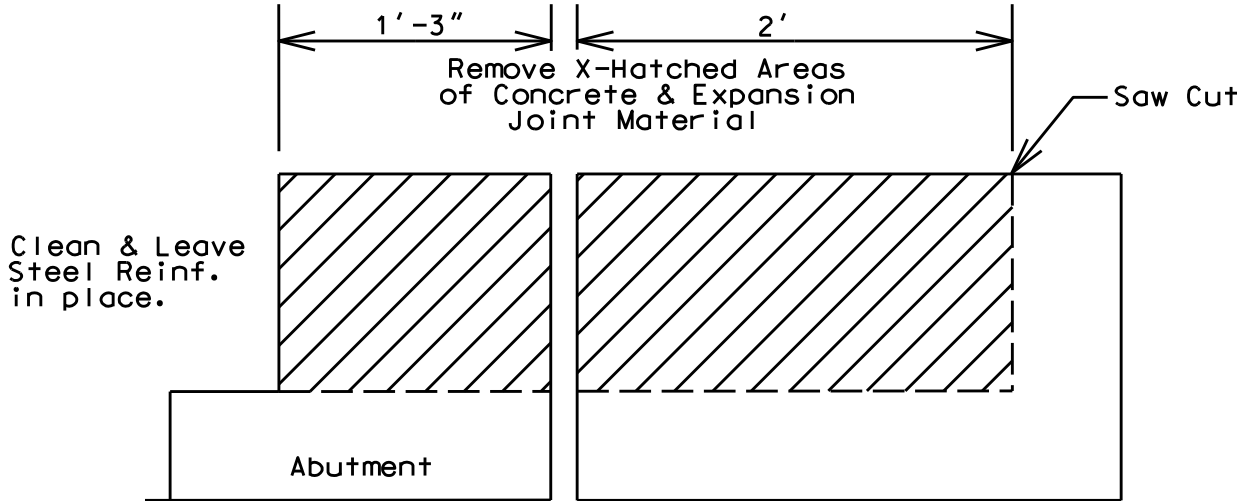
INSTALL 1 1/2" PREFORMED
COMPRESSION JOINT SEAL
& ARMORED EDGE



38' CURB TO CURB

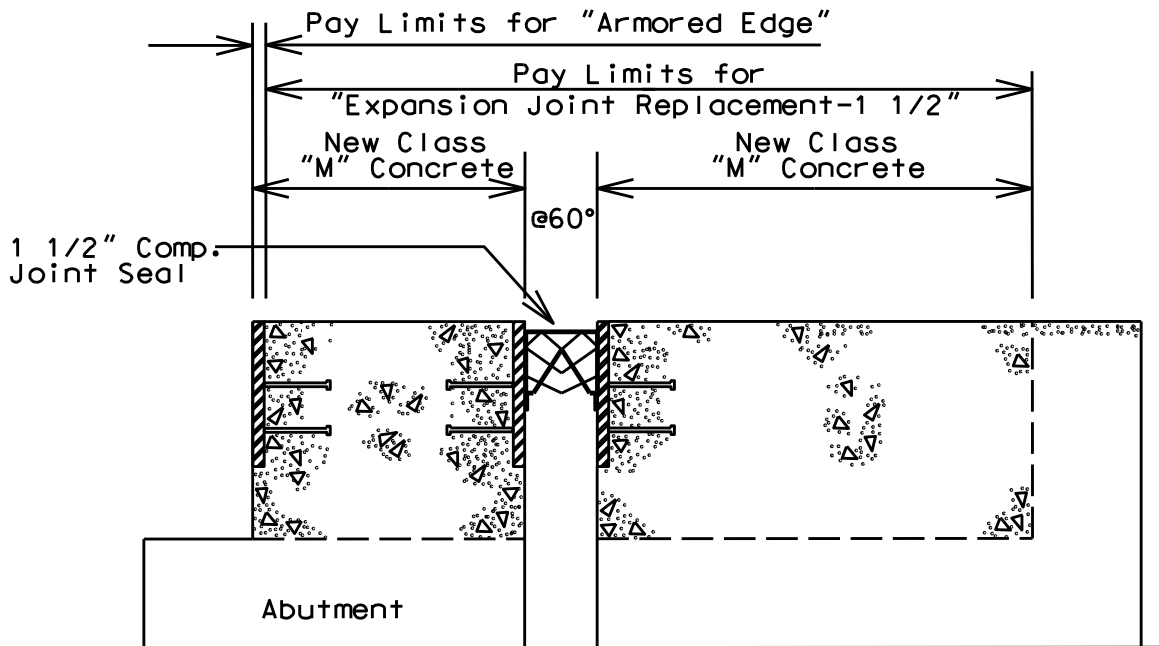
EXPANSION DAM DETAIL

"Expansion Joint Replacement-1 1/2"



EXISTING SECTION

End Bent #1 and #2



PROPOSED SECTION

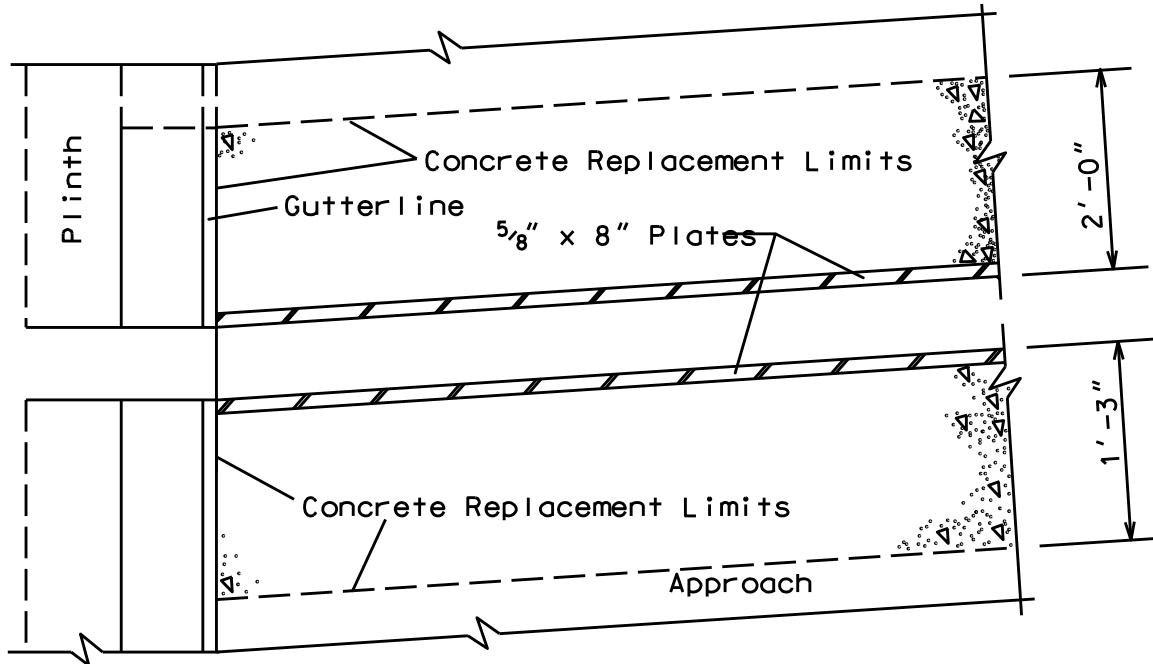
End Bent #1 and #2

See Standard Drawing
No. BJE-001-10

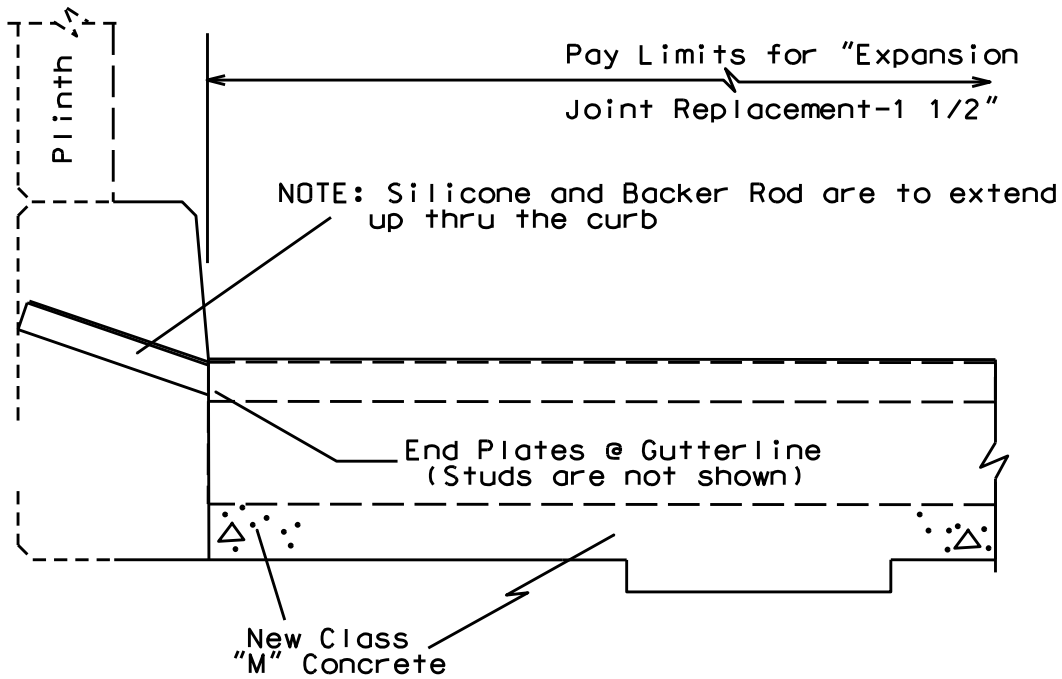
034B00023L.R

CURB SECTION

Abutments #1 and #2



PLAN VIEW @ CURB



PROPOSED SECTION @ CURB

034B00024L,R

50' 63', 63, 50' CONTINUOUS RCDG SPANS

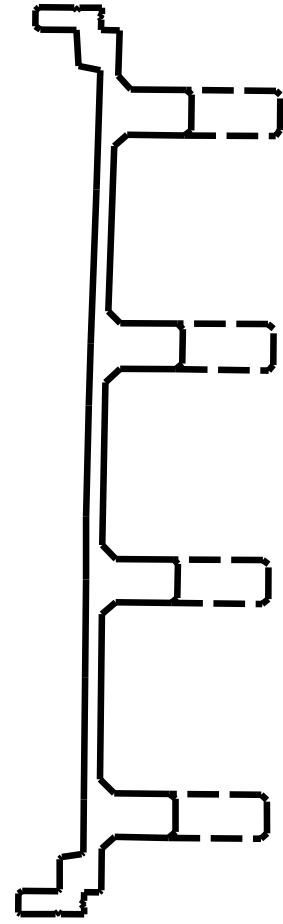
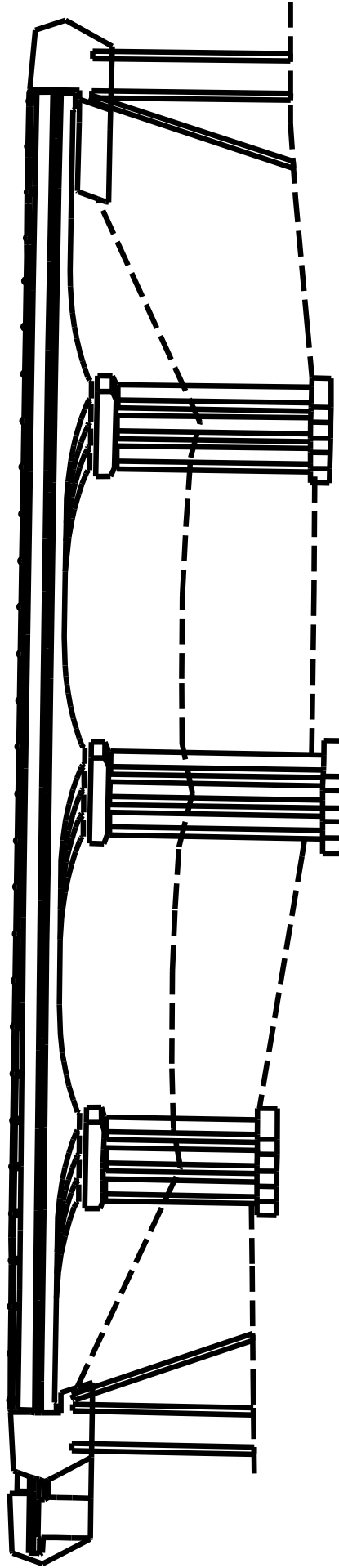
226' TOTAL LENGTH - 25 DEGREE SKEW

TO US 60

TO US 27

INSTALL 2" PREFORMED
COMPRESSION JOINT SEAL
AND ARMORED EDGE

INSTALL 2" PREFORMED
COMPRESSION JOINT SEAL
AND ARMORED EDGE

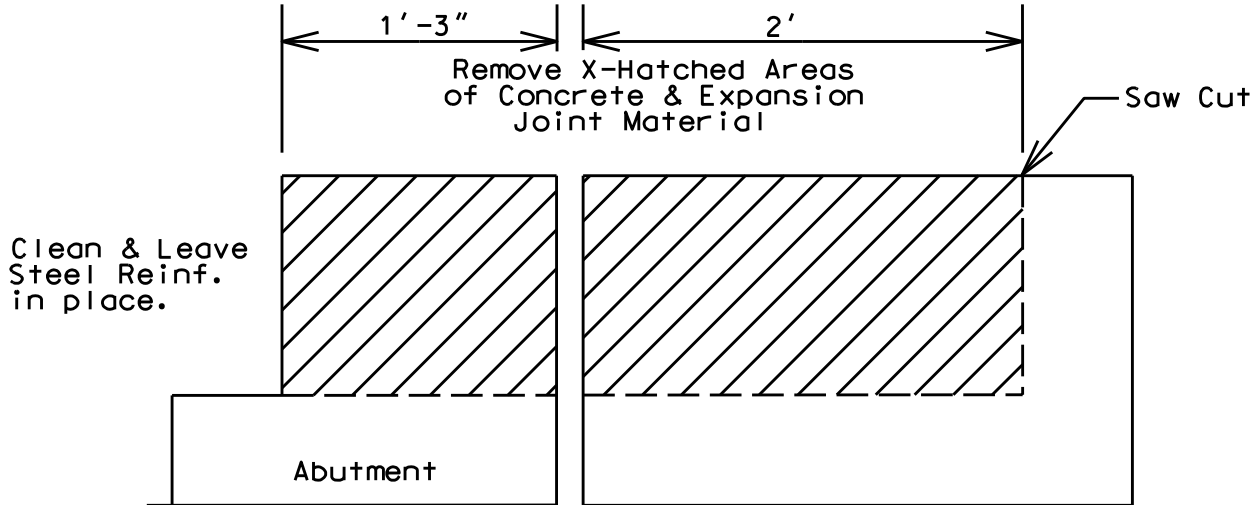


30' CURB TO CURB

034B00024L.R

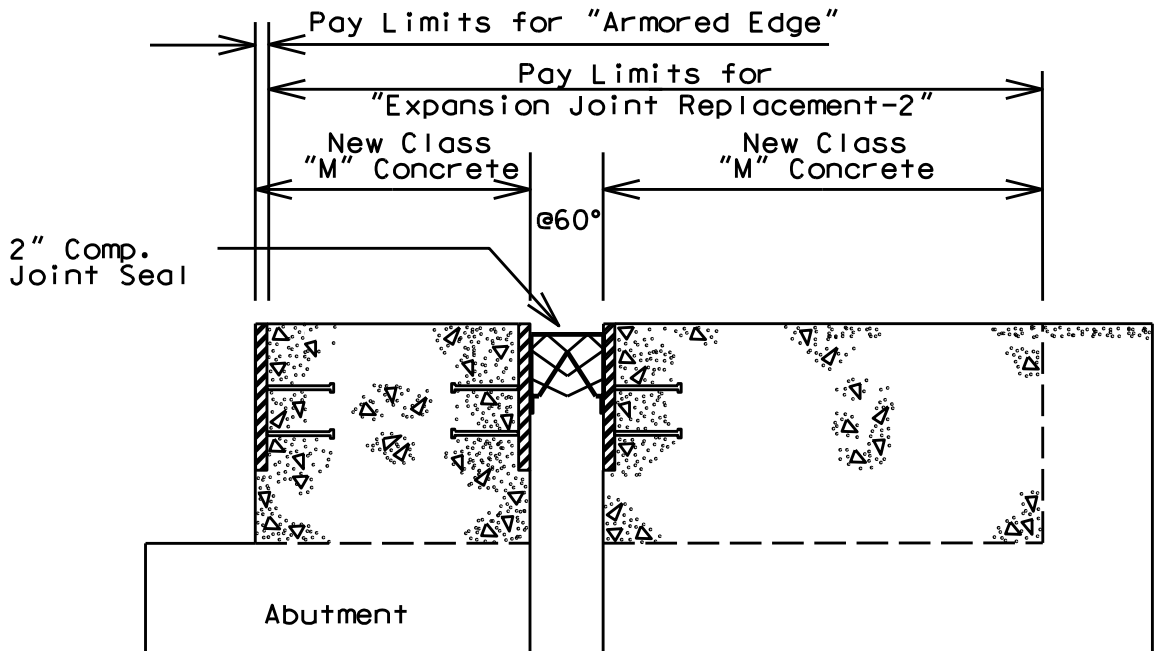
EXPANSION DAM DETAIL

"Expansion Joint Replacement-2"



EXISTING SECTION

End Bent #1 and #2



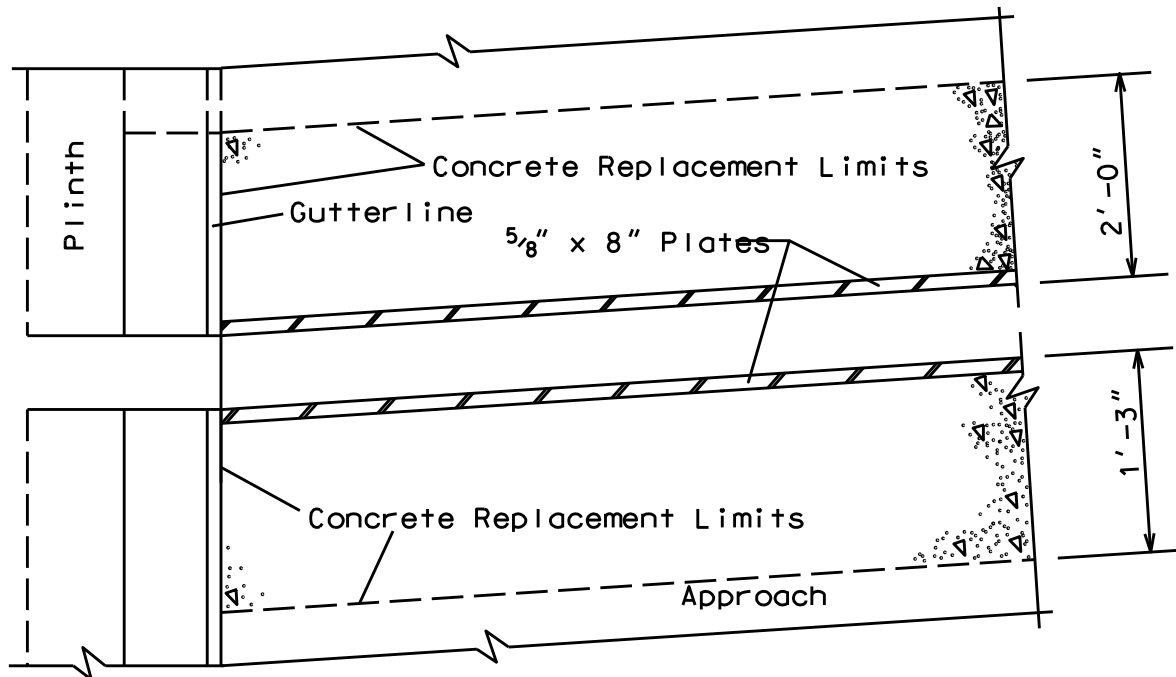
PROPOSED SECTION

End Bent #1 and #2

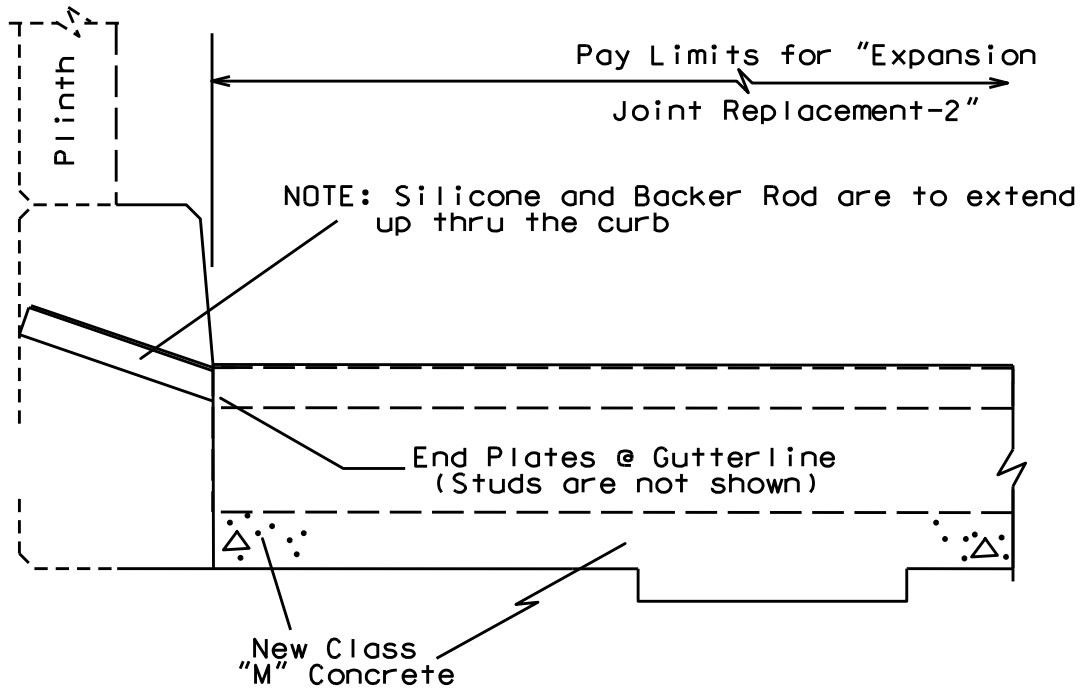
See Standard Drawing
No. BJE-001-10

CURB SECTION

Abutments #1 and #2



PLAN VIEW @ CURB



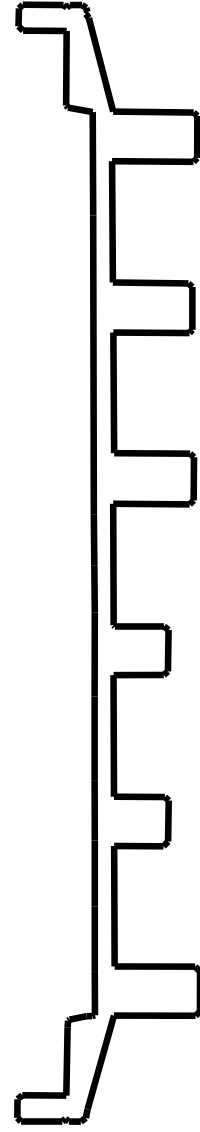
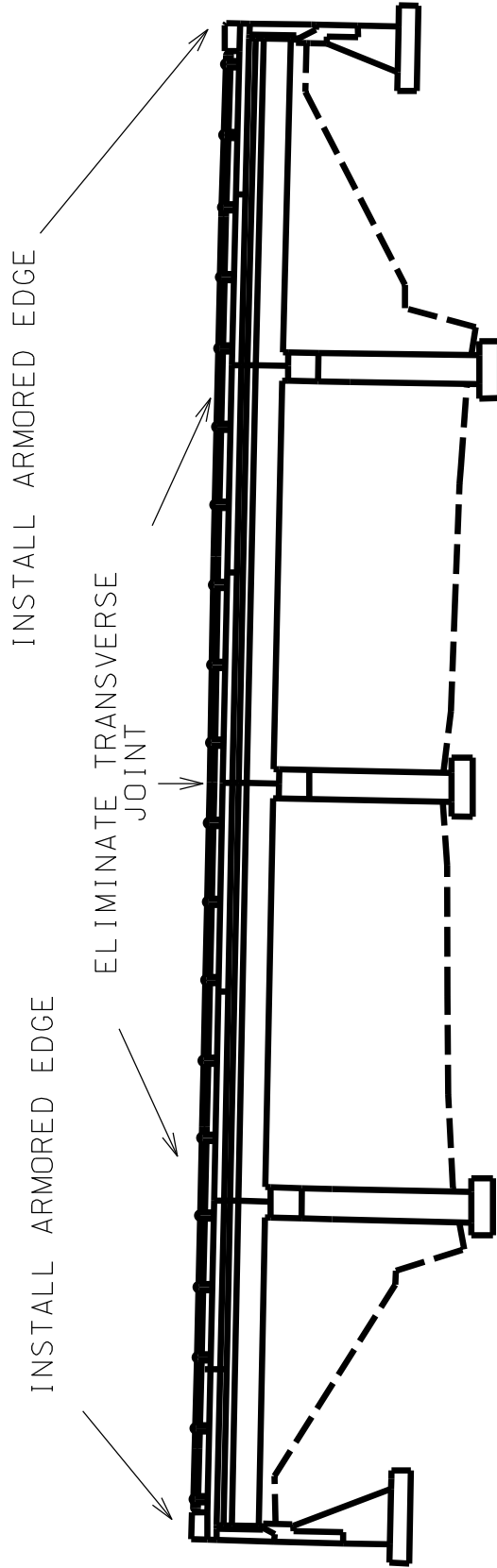
PROPOSED SECTION @ CURB

034B00037L,R

33', 41', 41', 33' CONTINUOUS RC'DG SPANS
160 TOTAL LENGTH - NO SKEW

TO GEORGETOWN RD

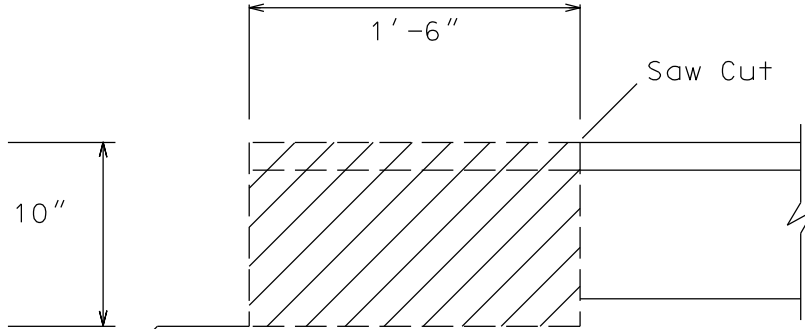
TO VERSAILLES RD



30' CURB TO CURB

ARMORED EDGE DETAIL

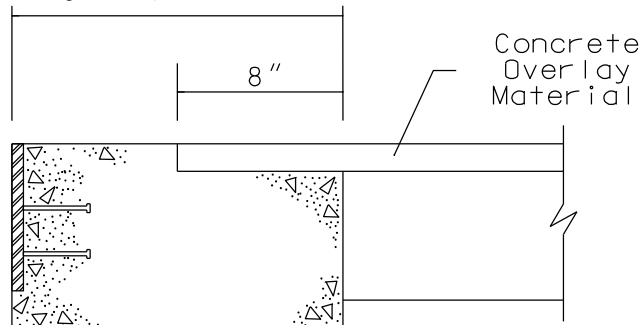
Remove X-Hatched Areas of
Concrete & Expansion Device



EXISTING SECTION

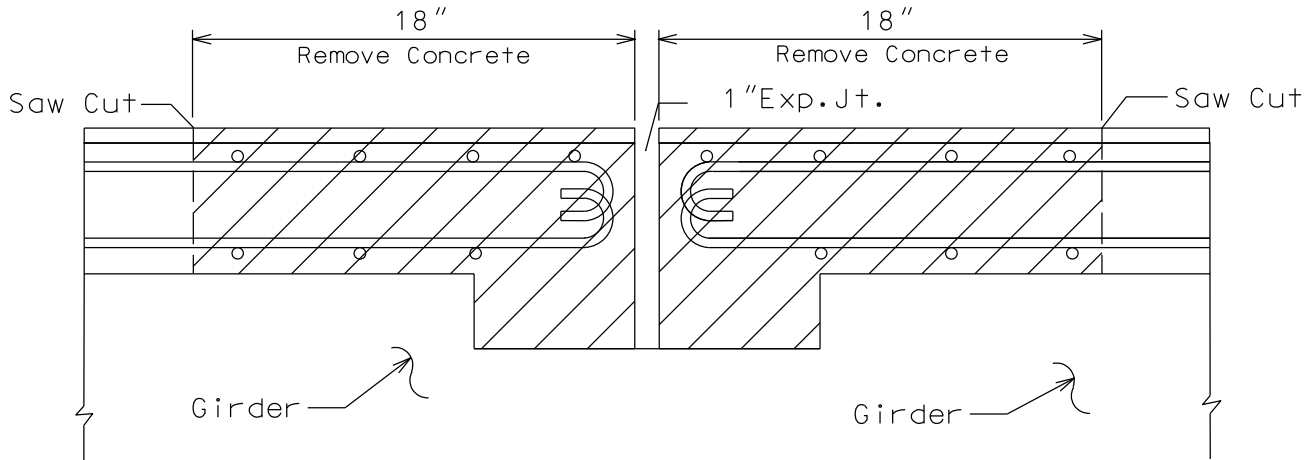
Pay Limits for "Armored
Edge Replacement"

See Standard
Drawing
BJE-001-11



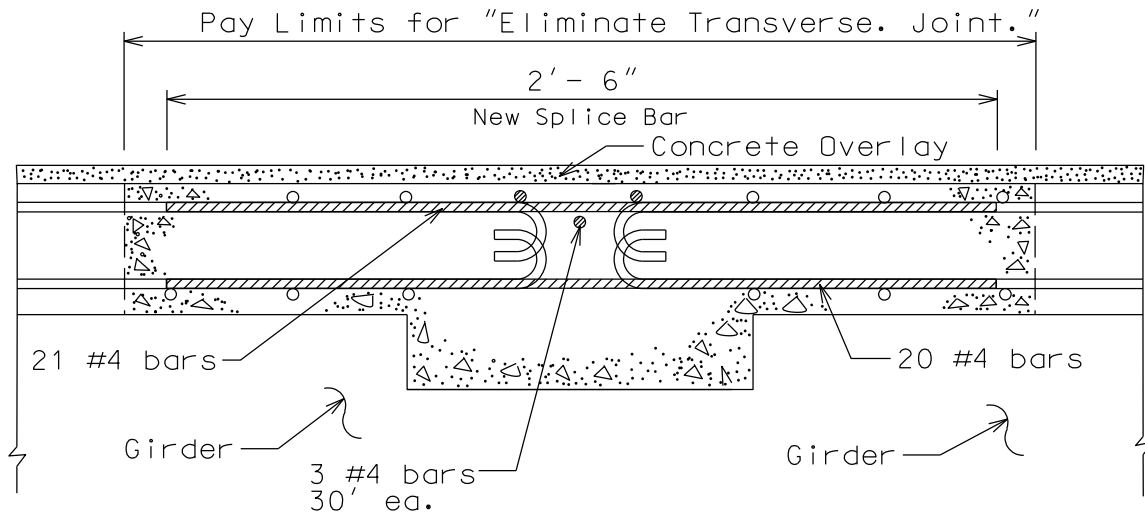
PROPOSED SECTION

ELIMINATE TRANSVERSE JOINT DETAIL



NOTE: Do not disturb existing Steel Reinforcement

EXISTING SECTION @ Transverse Joint



PROPOSED SECTION @ Transverse Joint

